

FILE: J:\CUSTDWG\CATRL\CD-00403

INDUCTANCE

9 mH

LOSSES

20 Watts

WEIGHT

5 Lbs

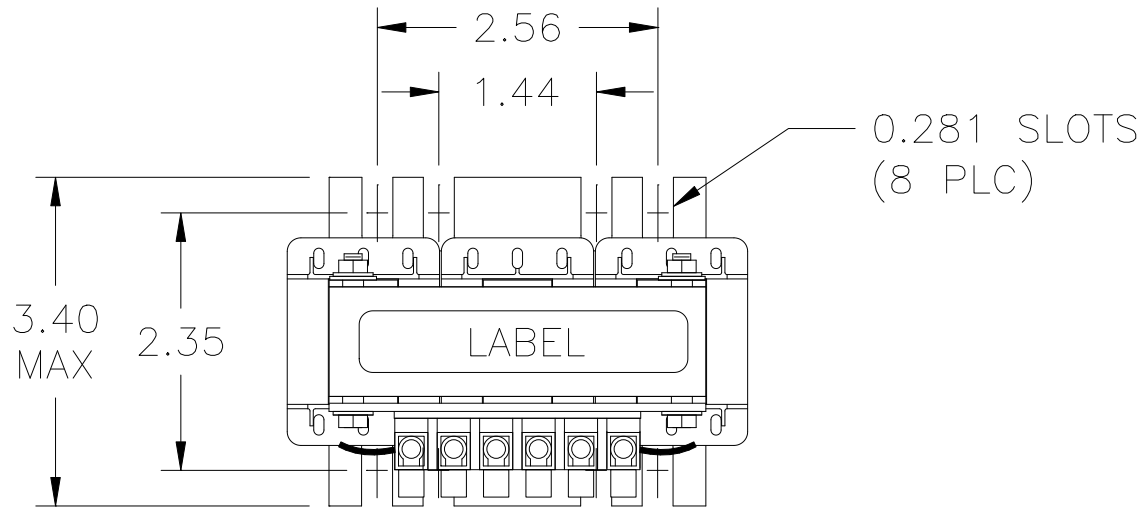
NO.

CHANGE DESCRIPTION

BY

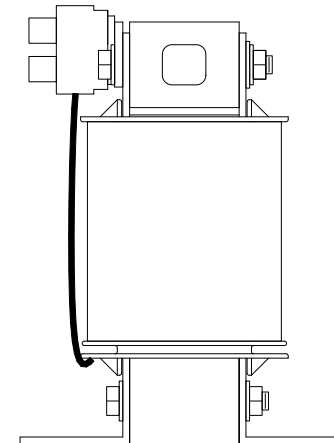
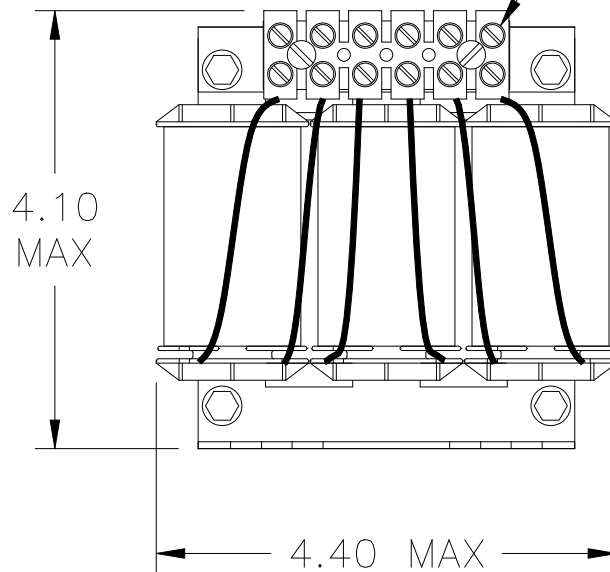
DATE

C'K'D



WIRE RANGE: 22-10 AWG

CAUTION-TERMINAL SCREW TIGHTENING TORQUE: 4.5 in-lb MAX.



UNLESS OTHERWISE SPECIFIED, DIMENSIONS ARE IN INCHES [mm] AND TOLERANCES ARE:

DECI. FRAC.

ANGLES DRILLED HOLES

PART NAME: 3-PHASE REACTOR

DESCRIPTION: OUTLINE DIMENSION

FINISH:

MTE CORPORATION
MENOMONEE FALLS, WISCONSIN

RL-00403

REV.
17

SCALE NTS

DATE 06/09/97

C'K'D

REF.

DR. BY PB JR.

APP'D